

WIN 050539 45532-08/07



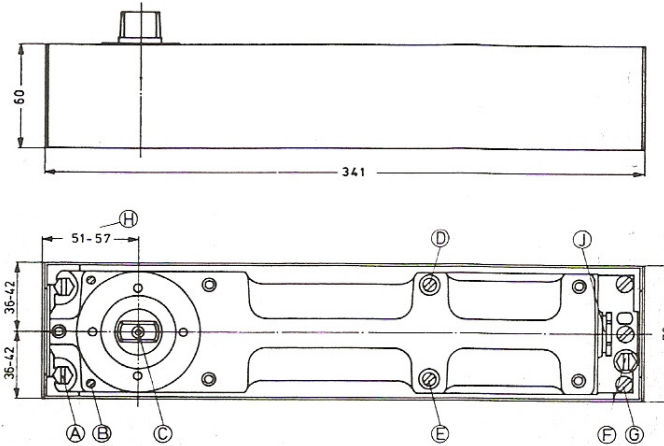
BTS 80

Fixing instructions

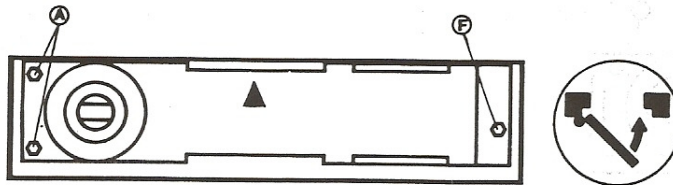
Please hand over to end user after installation.

Floor spring for left hand, right hand and double action doors.

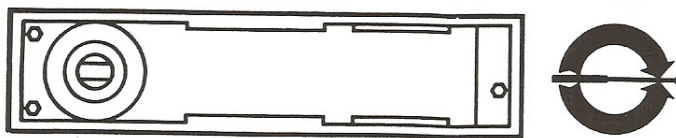
(GB)



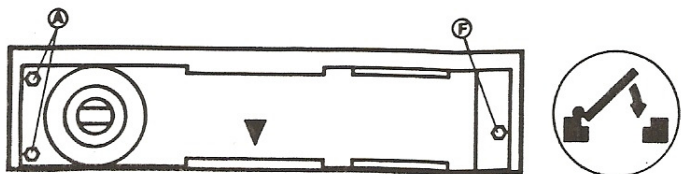
- A = Fixing screws
- B = Height adjustment screws
- C = Fixing screw for spindle insert
- D = Regulating valve for closing speed from approx. 80° to 0°
- E = Regulating valve for closing speed from 180° to approx. 80°
- F = Fixing screw
- G = Height adjustment screws
- H = Pivot centre
- J = Regulating screw for adjustment of hold-open start.



Left-hand door (acc. to DIN)
Loosen fixing screws (A) and (F).
Move closer in cement box as illustrated.
Right Hand Door (Acc. to ANSI)

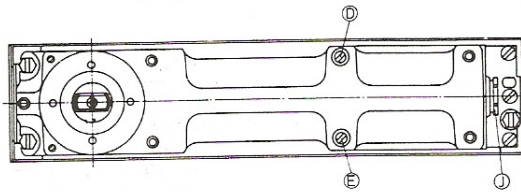
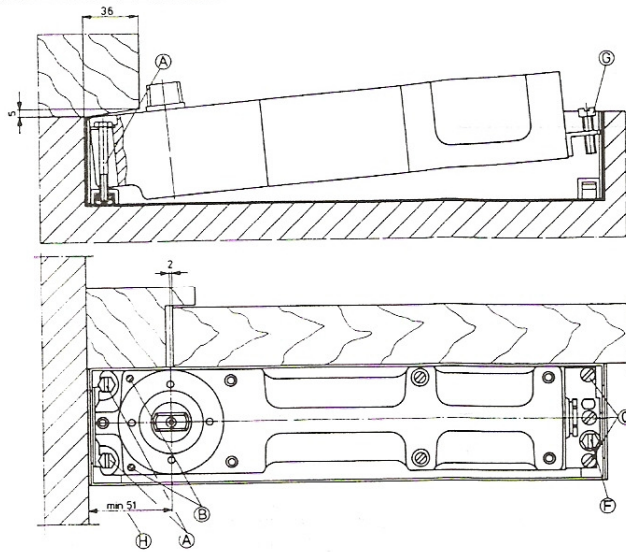


Double action door
Floor spring should be positioned in centre of cement box.



Right-hand door (acc. to DIN)
Loosen fixing screws (A) and (F).
Move closer in cement box as illustrated.
Left Hand Door (Acc. to ANSI)

(GB)



Installation

The pivot centre dimension H is 51 mm and must be taken in consideration in regard to unfinished, or concrete walls. After installation dimension H can be reduced to 35 mm by tiles, plaster or other wall finishes.

When floorspring has to be fitted under a frame, after removal of closer body, fixing screws A should be screwed right down. Then closer should be fitted, aligned and adjusted with fixing screws F . Screw down height adjustment screws G and if possible also E . To remove, reverse procedure. BTS must be removed from the cement box before setting into hot asphalt. Do not replace mechanism until asphalt is cool.

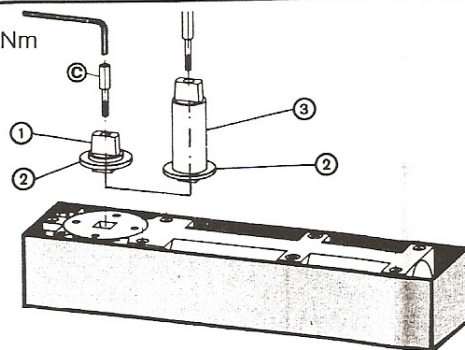
Adjustment of closing speed, delayed closing and selective hold open. Set closing speed from approx. 80° to 0° by using regulating valve D .

Regulating valve D has three options

1. Closing speed control from 180° to approx. 80° .
2. Delayed closing from 180° to approx. 80° .
3. Hold open variable between 85° and 180° .

By turning regulating valve D clockwise adjustable time delay is obtained. By closing regulating valve completely, hold open is obtained. With regulating screw J start of hold-open is adjustable from approx. 75° to 105° (turn right = 105° , turn left = 75°). The end of delayed closing can be set from approx. 105° to 75° in the same way.

14 + 1 Nm



Exchange of spindle insert

Remove screw C with allen key (5 mm) and remove standard spindle insert 1 . Push dust cap 2 into groove of extended spindle insert 3 . Fit extended spindle into closer and tighten securely.

DORMA sealing compound:
DORMA sealing compound is recommended for exterior doors and installations under corrosive conditions.

Accessories

Installation drawings showing various accessories are available for aluminium-, stainless steel-, toughened glass-, wood-, plastic- and steel doors.